

TERMO PS

1,22

U_d VALUE
(W/m² * K)



160 kg
MAXIMUM LOAD



26 mm
HATCH THICKNESS



x1
SEAL



PROTECTIVE FEET



HANDRAIL



3
YEARS GUARANTEE



COMPLIANCE WITH THE STANDARD

OMAN[®]



TERMO PS

The **TERMO PS** loft ladder is characterised by a single seal and a 26mm thick hatch. The **TERMO PS** model is ideal for conditions where the loft is poorly insulated and requires additional thermal insulation. The stairs have anti-slip feet which adhere perfectly to the floor, prevent scratching of the floor surface and provide an aesthetic finish to the ladder after it has been cut. For increased safety and comfort of use, the **TERMO PS** stairs are equipped with a stable and durable handrail. With the user's comfort in mind, the handrail has been designed so that it can be installed on the left or right side, depending on the customer's preference. The excellent quality of materials used in the production of the stairs and attention to every detail of the finish ensure that the stairs will satisfy even the most demanding customers, and their maximum load during use is up to 160 kg.

Technical specification

INSULATED HATCH THICKNESS	26 mm
THICKNESS OF THERMAL INSULATION	20 mm
HATCH COLOUR FROM BOTH SIDES	white
WOODEN LADDER	3 sections
HEIGHT OF WOODEN BOX	135 mm
WIDTH OF LADDER	400 mm
WIDTH OF STEP	358 mm
DEPTH OF STEP	80 mm
MAXIMAL LANDING SPACE	148 cm
OPENING DISTANCE	166 cm
MAXIMUM CEILING HEIGHT	280 cm

Box dimensions [cm] A x B

Outer box dimensions, mounting opening 2 cm longer.

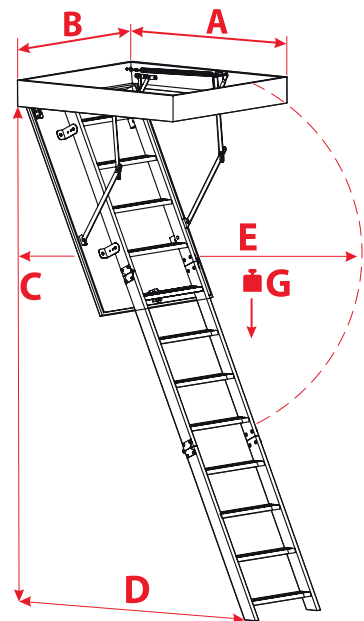
110 x 55	120 x 55	130 x 55	140 x 55
110 x 60	120 x 60	130 x 60	140 x 60
110 x 70	120 x 70	130 x 70	140 x 70

Non-standard dimensions

Min - Max Length	110 - 140 cm
Min - Max Width	54 - 80 cm

*Unusual dimensions available in full size of untypical stairs can not exceed 1 m².

Technical drawing



A > 110

C	280 cm
D	148 cm
E	166 cm
G	160 kg

A = 110

C	280 cm
D	134 cm
E	160 cm
G	160 kg

Accessories



MASKING BATTEN



MOUNTING SYSTEM



HATCH BALUSTRADE