

# LONG EI45



**U<sub>d</sub> VALUE**  
(W/m<sup>2</sup> \* K)



MAXIMUM  
LOAD



PROTECTIVE  
FEET



YEARS  
GUARANTEE



SEAL



FIRE RESISTANT  
SEAL



HANDRAIL



EN 14975

**OMAN**<sup>®</sup>

CLASSIC

EI

MINI

FLEX

SOLID

LONG

# LONG EI45

# 66 mm

The LONG EI45 loft ladders are characterized by double sealing, including a single fire resistant sealing and hatch thickness 66mm. The LONG EI45 loft ladders have the EI45 fire resistance class. The LONG EI45 model is ideally suited for installation in rooms particularly exposed to fire outbreak. Their fire safety properties allows an effective isolation of the room, in which the fire occurred from the attic. The loft ladders have anti skidding feet, they adheres perfectly to the ground, prevent scratching of the floor and provide an aesthetic finish for the ladder after cutting. For increased safety and convenience of use, LONG EI45 loft ladders are equipped in a stable and durable handrail. In the interest of user convenience, the handrail can be installed on the left or right side – depending on the customer preferences. The excellent quality of materials used for the production of loft ladders and attention to every detail of finish cause that the stairs will satisfy even the most demanding customers. Their maximum load during use is up to 160 kg.

## Technical specification

|                                 |            |
|---------------------------------|------------|
| Insulated hatch thickness       | 66 mm      |
| Thickness of thermal insulation | 60 mm      |
| Hatch colour from both sides    | White      |
| Wooden ladder                   | 4 sections |
| Height of wooden box            | 170 mm     |
| Width of ladder                 | 400 mm     |
| Width of step                   | 358 mm     |
| Depth of step                   | 80 mm      |
| Landing space                   | 165 cm     |
| Opening distance/angle          | 171 cm     |
| Maximum ceiling height          | 310 cm     |

### Box dimensions [cm] AxB

120x60 130x60

120x70 130x70

Outer box dimensions, mounting opening 2 cm larger

### Accessories



Masking batten

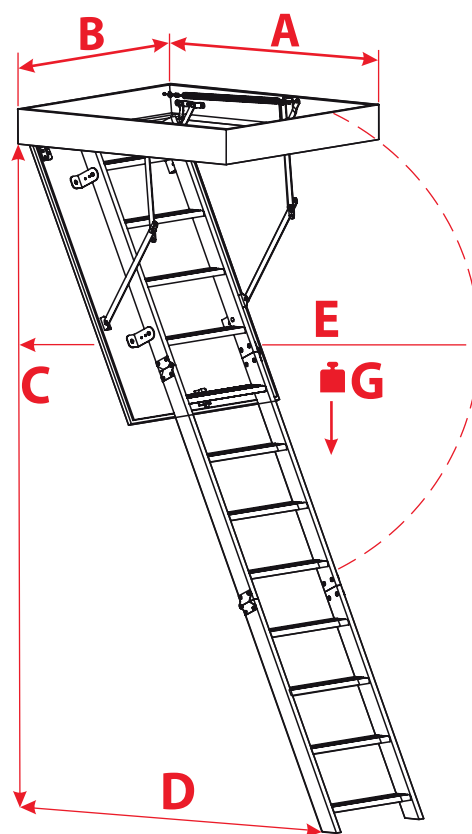


Mounting system



Hatch balustrade

## Technical draw



|   |        |
|---|--------|
| C | 310 cm |
| D | 165 cm |
| E | 171 cm |
| G | 160 kg |