

LONG EI45

0,54

U_d VALUE
(W/m²*K)



MAXIMUM
LOAD



PROTECTIVE
FEET



HATCH
THICKNESS



SEAL



FIRE RESISTANT
SEAL



HANDRAIL
SEAL



YEARS
GUARANTEE



COMPLIANCE WITH
THE STANDARD

OMAN[®]



LONG EI45

The **LONG EI45** loft ladder features triple sealing, including a single fire seal and a 66mm thick hatch. The **LONG EI45** loft ladder has a fire resistance class - **EI45**. The **LONG EI45** loft ladder model is ideal for installation in rooms particularly exposed to the outbreak of fire, its fire resistant properties will effectively isolate the room in which the loft fire occurs, thus preventing further spread of fire. The staircase has non-slip feet that adhere perfectly to the floor, prevent scratching of the floor surface and provide an aesthetic finish to the ladder when cut. For increased safety and comfort of use, the **LONG EI45** stairs are equipped with a stable and durable handrail. In the interest of convenience, the handrail has been designed so that it can be installed on the left or right side, depending on the customer's preference. The excellent quality of materials used in the production of the stairs, as well as care for every detail of the finish ensure that the stairs will satisfy even the most demanding customers, and their maximum load during use is up to 160 kg.

Technical specification

INSULATED HATCH THICKNESS	66 mm
THICKNESS OF THERMAL INSULATION	60 mm
HATCH COLOUR FROM BOTH SIDES	white
WOODEN LADDER	4 sections
HEIGHT OF WOODEN BOX	170 mm
WIDTH OF LADDER	400 mm
WIDTH OF STEP	358 mm
DEPTH OF STEP	80 mm
MAXIMAL LANDING SPACE	165 cm
OPENING DISTANCE	171 cm
MAXIMUM CEILING HEIGHT	310 cm

Box dimensions [cm] A x B

Outer box dimensions, mounting opening 2 cm longer.

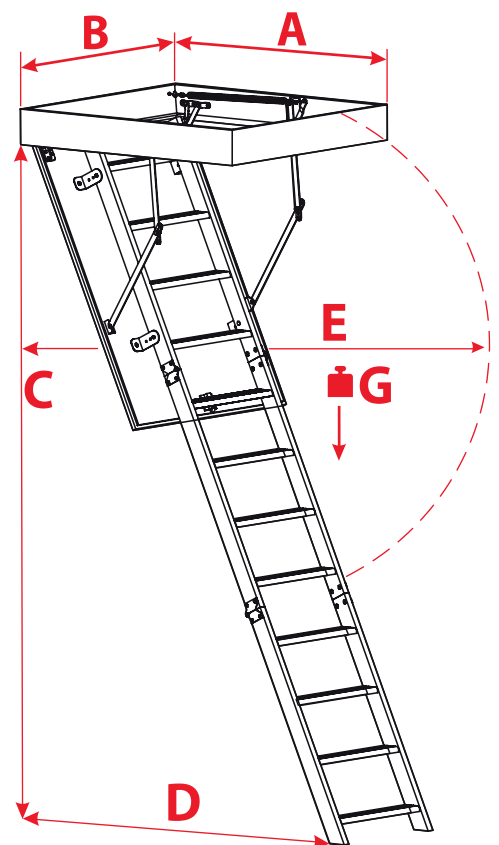
120 x 60
120 x 70

Accessories



HATCH
BALUSTRADE

Technical drawing



C	310 cm
D	165 cm
E	171 cm
G	160 kg