



LONG POLAR

0,36

U_d VALUE
(W/m² * K)



**MAXIMUM
LOAD**



**PROTECTIVE
FEET**



SEALS



HANDRAIL



**ADDITIONAL
STEP**



**YEARS
GUARANTEE**

**4 CLASS
AIR
TIGHT
NESS**



The mark of
responsible forestry



OMAN®

CLASSIC

EI

MINI

FLEX

SOLID

LONG

LONG POLAR

86 mm

The LONG POLAR loft ladder has got double sealing and hatch thickness 86mm, thanks to it is perfect for all conditions. LONG POLAR loft ladder has the best heat transfer coefficient on the market $U=0,36$ and the highest 4 class airtightness. Because of the excellent parameters our LONG POLAR loft ladder is suitable for montage especially where are the large temperature differences. Choosing our LONG POLAR loft ladder is investment, which highly reduce the loss of the heating air, it as well helps to keep preferred level of thermal insulation and significantly reduce the costs of heating. This model is equipped with non-slip feet, which perfectly adhere to the ground and prevent scratches on the floor surface. Our non-slip feet included in LONG POLAR loft ladder provide an aesthetic finish for the ladder after cutting. To increase security and for comfortable use our LONG POLAR loft ladder is also equipped with stable and durable handrail. In the interest of user convenience, the handrail has been designed in such a way that it can be mounted on the left or right side depending on customer preferences. LONG POLAR loft ladder model is equipped with 4 - section ladder, due to it is ideal for montage in high rooms up to 310cm. The excellent quality of materials used for the production of stairs and attention to every details of finish cause that the stairs will satisfy even the most demanding customers. The maximum load during use is up to 160 kg. By choosing the best insulated attic stairs on the market you reduce the costs associated with heating, and thanks to it you really contribute to the fight for a better climate.

Technical specification

Insulated hatch thickness	86 mm
Thickness of thermal insulation	80 mm
Hatch colour from both sides	White
Wooden ladder	4 sections
Height of wooden box	170 mm
Width of ladder	400 mm
Width of step	358 mm
Depth of step	80 mm
Landing space	175 cm
Opening distance/angle	172 cm
Maximum ceiling height	310 cm

Box dimensions [cm] AxB

120x60 130x60

120x70 130x70

Outer box dimensions, mounting opening 2 cm larger

Non-standard dimensions

Min - Max Length 120 - 130 cm

Min - Max Width 54 - 70 cm

*Unusual dimensions available in full size of untypical stairs can not exceed 1 m²

Accessories



Masking batten

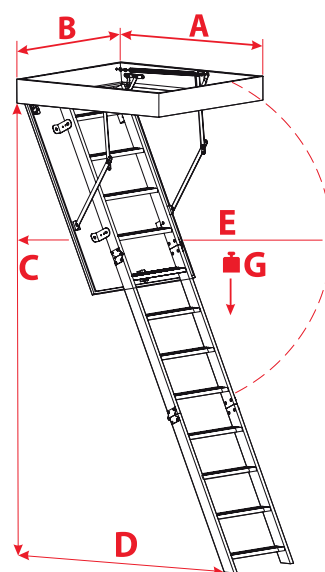


Mounting system



Hatch balustrade

Technical draw



C	310 cm
D	175 cm
E	172 cm
G	160 kg