

LONG POLAR

0,36

U_a VALUE
(W/m² * K)



MAXIMUM
LOAD



PROTECTIVE
FEET



SEAL



HANDRAIL



HATCH
THICKNESS



ADDITIONAL
STEP



YEARS
GUARANTEE

4 CLASS
AIR
TIGHT
NESS



COMPLIANCE WITH
THE STANDARD

OMAN[®]



LONG POLAR

The **LONG POLAR** loft ladder is characterised by double sealing and a 36 mm thick hatch. The **POLAR** model is ideal for conditions where the loft is poorly insulated and requires additional thermal insulation. The **LONG** model of the stairs is equipped with a wooden 4-section ladder, which makes it ideal for installation in rooms of up to 310 cm in height. The staircase is equipped with non-slip feet which perfectly adhere to the floor, prevent scratching of the floor surface and provide an aesthetic finish of the ladder after it has been cut. For increased safety and comfort of use, the **LONG POLAR** stairs are equipped with a stable and durable handrail. With the user's comfort in mind, the handrail has been designed so that it can be installed on the left or right side, depending on the customer's preference. The excellent quality of materials used in the production of the stairs and attention to every detail of the finish ensure that the stairs will satisfy even the most demanding customers, and their maximum load during use is up to 160 kg.

Technical specification

INSULATED HATCH THICKNESS	86 mm
THICKNESS OF THERMAL INSULATION	80 mm
HATCH COLOUR FROM BOTH SIDES	white
WOODEN LADDER	4 sections
HEIGHT OF WOODEN BOX	170 mm
WIDTH OF LADDER	400 mm
WIDTH OF STEP	358 mm
DEPTH OF STEP	80 mm
MAXIMAL LANDING SPACE	175 cm
OPENING DISTANCE	172 cm
MAXIMUM CEILING HEIGHT	310 cm

Box dimensions [cm] A x B

Wymiary zewnętrzne skrzynki, otwór montażowy większy o 2 cm.

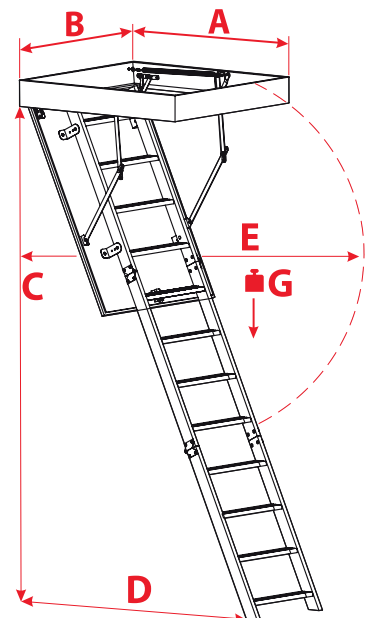
120 x 60	130 x 60
120 x 70	130 x 70

Non-standard dimensions

Min - Max Length	120 - 130 cm
Min - Max Width	54 - 70 cm

*Unusual dimensions available in full size of untypical stairs can not exceed 1 m².

Technical drawing



C	310 cm
D	175 cm
E	172 cm
G	160 kg

Accessories



MASKING
BATTEN



MOUNTING
SYSTEM



HATCH
BALUSTRADE