

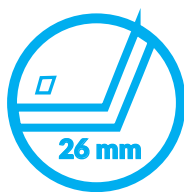
COMPACT TERMO

1,22

U_d VALUE
(W/m² * K)



MAXIMUM
LOAD



HATCH
THICKNESS



SEALS



PROTECTIVE
FEET



YEARS
GUARANTEE



OMAN[®]



COMPACT TERMO

The **COMPACT TERMO** loft ladders are characterized by single sealing and hatch thickness 26 mm. The **COMPACT TERMO** model is ideally suited to install where the attic is insulated and does not require additional thermal insulation. The **COMPACT TERMO** model thanks to its small dimensions, is perfect for installation in narrow and small corridors. The small size of the stairs was achieved thanks to use of a unique 4-section wooden ladder. The loft ladder have anti skidding feet, they adheres perfectly to the ground, prevent scratching of the floor and provide an aesthetic finish for the ladder after cutting. The excellent quality of materials used for the production of loft ladders and attention to every detail of finish cause that the stairs will satisfy even the most demanding customers. Their maximum load during use it up to 160 kg.

Technical specification

Insulated hatch thickness	26 mm
Thickness of thermal insulation	20 mm
Hatch colour from both sides	white
Wooden ladder	4 sections
Height of wooden box	135 mm
Width of ladder	400 mm
Width of step	358 mm
Depth of step	80 mm
Maximal landing space	146 cm
Opening distance	135 cm
Maximum ceiling height	280 cm

Box dimensions [cm]

Outer box dimensions, mounting opening 2 cm larger.

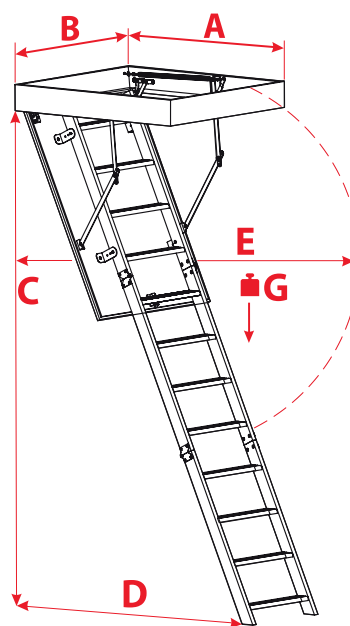
100 x 55
100 x 60
100 x 70

Nos-standard dimensions

Min - Max Length	100 - 110 cm
Min - Max Width	54 - 85 cm

*Unusual dimensions available in full size of untypical stairs can not exceed 1 m².

Technical draw



C	280 cm
D	146 cm
E	135 cm
G	160 kg

Accessories



MASKING BATTEN



MOUNTING SYSTEM



HATCH BALUSTRADE