

# ALUPROFI EXTRA

0,85

**U<sub>a</sub> VALUE**  
(W/m<sup>2</sup> \* K)



MAXIMUM  
LOAD



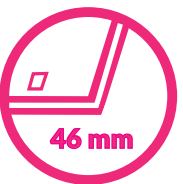
PROTECTIVE  
FEET



SEAL



HANDRAIL



HATCH  
THICKNESS



YEARS  
GUARANTEE



COMPLIANCE WITH  
THE STANDARD

**OMAN**<sup>®</sup>



# ALUPROFI EXTRA

The **ALUPROFI EXTRA** loft ladder is characterised by a single seal and a 46mm thick hatch. The **ALUPROFI EXTRA** model is ideal for conditions where the loft is poorly insulated and requires additional thermal insulation. A characteristic feature of **ALUPROFI** stairs is the lightweight and extremely durable ladder made of top quality aluminium. The stairs are equipped with anti-slip feet that perfectly adhere to the floor, prevent scratching the floor surface and provide an aesthetic finish of the ladder after it has been cut. For increased safety and comfort of use, **ALUPROFI EXTRA** stairs are equipped with a stable and durable handrail. With the user's comfort in mind, the handrail has been designed so that it can be installed on the left or right side, depending on the customer's preference. The excellent quality of materials used in the production of the stairs and attention to every detail of the finish ensure that the stairs will satisfy even the most demanding customers, and their maximum load during use is up to 160 kg.

## Technical specification

INSULATED HATCH THICKNESS	46 mm
THICKNESS OF THERMAL INSULATION	40 mm
HATCH COLOUR FROM BOTH SIDES	white
ALUMINIUM LADDER	3 sections
HEIGHT OF WOODEN BOX	170 mm
WIDTH OF LADDER	400 mm
WIDTH OF STEP	350 mm
DEPTH OF STEP	80 mm
MAXIMAL LANDING SPACE	142 cm
OPENING DISTANCE	165 cm
MAXIMUM CEILING HEIGHT	280 cm

## Box dimensions [cm] A x B

Outer box dimensions, mounting opening 2 cm longer.

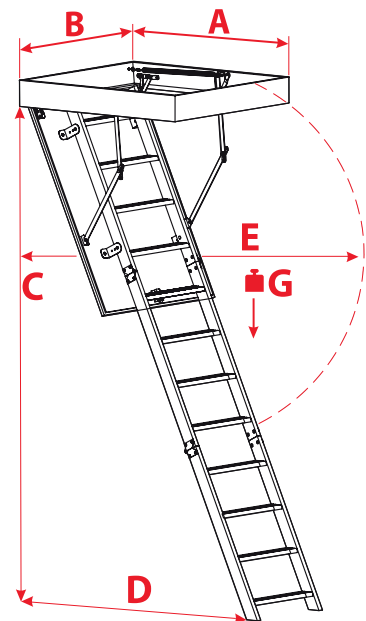
110 x 55	120 x 55	130 x 55	140 x 55
110 x 60	120 x 60	130 x 60	140 x 60
110 x 70	120 x 70	130 x 60	140 x 60

## Non-standard dimensions

Min - Max Length	110 - 140 cm
Min - Max Width	54 - 80 cm

\*Unusual dimensions available in full size of untypical stairs can not exceed 1 m<sup>2</sup>.

## Technical drawing



A > 110

C	280 cm
D	142 cm
E	165 cm
G	160 kg

A = 110

C	280 cm
D	128 cm
E	161 cm
G	160 kg

## Accessories



MASKING BATTEN



MOUNTING SYSTEM



HATCH BALUSTRADE