

EI60 SOLID

0,54

U_d VALUE
(W/m² * K)



FIRE RESISTANT
SEAL



PROTECTIVE
FEET



SEAL



HANDRAIL



HATCH
THICKNESS



YEARS
GUARANTEE



COMPLIANCE WITH
THE STANDARD

OMAN[®]



EI60 SOLID

The **EI 60 SOLID** loft ladder has a triple seal, including a single fire seal and a 66 mm thick hatch. The **EI 60 SOLID** loft ladder has a fire resistance class - **EI 60**. This loft ladder is ideal for installation in rooms particularly exposed to the outbreak of fire, its properties will effectively isolate the room from the loft, thus preventing the spread of fire. The **EI 60 SOLID** model has anti-slip feet which adhere perfectly to the floor, prevent scratching of the floor surface and provide an aesthetic finish of the ladder after it has been cut. The **EI 60 SOLID** staircase is equipped with a stable and resistant handrail to increase safety and comfort of use. With a view to user comfort, the handrail has been designed so that it can be installed on the left or right side, depending on customer preference. The excellent quality of materials used in the production of the stairs, as well as the attention paid to every detail of finishing, mean that the stairs will satisfy even the most demanding customers, and their maximum load during use is 210 kg.

Technical specification

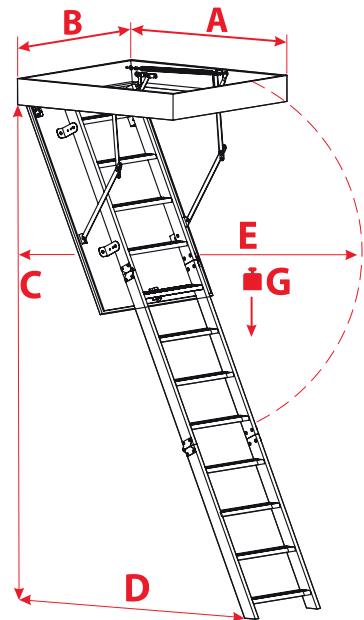
INSULATED HATCH THICKNESS	66 mm
THICKNESS OF THERMAL INSULATION	60 mm
HATCH COLOUR FROM BOTH SIDES	white
METAL LADDER	3 sections
HEIGHT OF WOODEN BOX	170 mm
WIDTH OF LADDER	400 mm
WIDTH OF STEP	361 mm
DEPTH OF STEP	80 mm
MAXIMAL LANDING SPACE	145 cm
OPENING DISTANCE	168 cm
MAXIMUM CEILING HEIGHT	280 cm

Box dimensions [cm] A x B

Outer box dimensions, mounting opening 2 cm longer.

120 x 60	130 x 60
120 x 70	130 x 70

Technical drawing



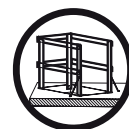
C 280 cm

D 145 cm

E 168 cm

G 210 kg

Accessories



HATCH
BALUSTRADE