

EI 45 POLAR

0,36

U_d VALUE
(W/m² * K)



FIRE RESISTANT
SEAL



PROTECTIVE
FEET



SEAL



HANDRAIL



ADDITIONAL
STEP



YEARS
GUARANTEE



HATCH
THICKNESS

4 CLASS
AIR
TIGHT
NESS



COMPLIANCE WITH
THE STANDARD

OMAN[®]



EI 45 POLAR

The **EI 45 POLAR** staircase has a triple sealing and an 86 mm thick hatch, thanks to which it performs perfectly in all conditions, at the same time contributing to a significant reduction in costs connected with heating your house or flat. **POLAR** Loft Ladder is characterised by the best heat transfer coefficient on the market of $U=0.43$ and the highest tightness class 4. The **EI 45 POLAR** loft ladder has fire resistance class - **EI45**. The **EI45** model of the loft ladder is ideal for installation in rooms particularly exposed to the risk of fire; its fire resistant properties enable effective isolation of the room in which a fire occurs from the loft, thus preventing further spread of fire. The **EI 45 POLAR** stairs have anti-slip feet which adhere perfectly to the floor, prevent scratching of the floor surface and provide an aesthetic finish to the ladder after it has been cut. For increased safety and comfort of use, the **EI 45 POLAR** stairs are equipped with a stable and durable handrail. With the user's comfort in mind, the handrail has been designed so that it can be installed on the left or right side, depending on the customer's preference. The excellent quality of the materials used in the production of the stairs and attention to every detail of the finish mean that the stairs will satisfy even the most demanding customers, and their maximum load during use is as much as 160 kg. By choosing the best insulated loft ladder on the market, you will reduce costs associated with heating, and thus make a real contribution to the fight for a better climate.

Technical specification

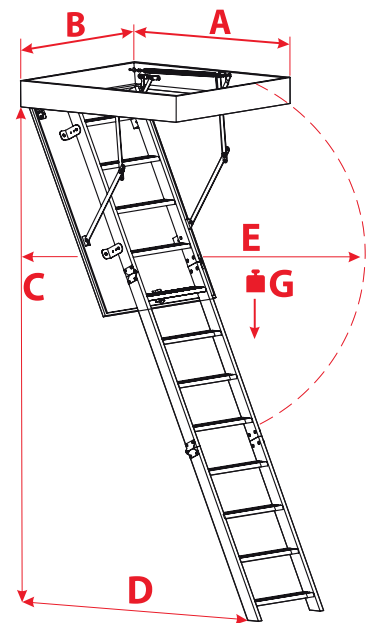
INSULATED HATCH THICKNESS	86 mm
THICKNESS OF THERMAL INSULATION	80 mm
HATCH COLOUR FROM BOTH SIDES	white
WOODEN LADDER	3 sections
HEIGHT OF WOODEN BOX	170 mm
WIDTH OF LADDER	400 mm
WIDTH OF STEP	358 mm
DEPTH OF STEP	80 mm
MAXIMAL LANDING SPACE	147 cm
OPENING DISTANCE	169 cm
MAXIMUM CEILING HEIGHT	280 cm

Box dimensions [cm] A x B

Outer box dimensions, mounting opening 2 cm longer.

120 x 60	130 x 60
120 x 70	130 x 70

Technical drawing



C	280 cm
D	147 cm
E	169 cm
G	160 kg

Accessories



HATCH
BALUSTRADE