

# LONG FLEX TERMO



**U<sub>d</sub> VALUE**  
(W/m<sup>2</sup> \* K)



MAXIMUM  
LOAD



HATCH  
THICKNESS



SEAL



FLEX  
STEPS



YEARS  
GUARANTEE



COMPLIANCE WITH  
THE STANDARD

**OMAN<sup>®</sup>**



# LONG FLEX TERMO

The **LONG FLEX TERMO** loft ladder is characterised by a single seal and a 26mm thick hatch. The **LONG FLEX TERMO** model is ideal for conditions where the loft is poorly insulated and requires additional thermal insulation. The **FLEX** model of stairs, thanks to the use of a solid, metal extendable 'scissor' ladder, is ideal for installation in rooms up to 310cm high. The excellent quality of materials used in the production of the stairs and attention to every detail of the finish ensure that the stairs will satisfy even the most demanding customers, and their maximum load during use is up to 160 kg.

## Technical specification

INSULATED HATCH THICKNESS	26 mm
THICKNESS OF THERMAL INSULATION	20 mm
HATCH COLOUR FROM BOTH SIDES	white
FLEX LADDER	11 steps
HEIGHT OF METAL BOX	135 mm
WIDTH OF LADDER	390 mm
WIDTH OF STEP	345 mm
DEPTH OF STEP	80 mm
MAXIMAL LANDING SPACE	220 cm
OPENING DISTANCE	265 cm
MAXIMUM CEILING HEIGHT	310 cm

## Box dimensions [cm] A x B

Outer box dimensions, mounting opening 2 cm longer.

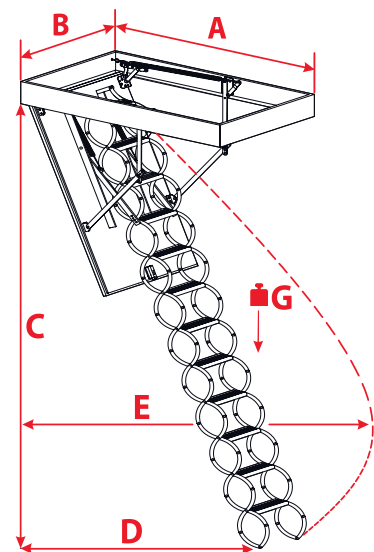
80 x 60	90 x 60	100 x 60	110 x 60	120 x 60	130 x 60
80 x 70	90 x 70	100 x 70	110 x 70	120 x 70	130 x 70

## Non-standard dimensions

Min - Max Length	80 - 130 cm
Min - Max Width	60 - 75 cm

\*Unusual dimensions available in full size of untypical stairs can not exceed 1 m<sup>2</sup>.

## Technical drawing



C	310 cm
G	160 kg

A	80-100	110	120-130
D	220 cm	205 cm	
E	265 cm	245 cm	250 cm

## Accessories



MASKING BATTEN



MOUNTING SYSTEM



HATCH BALUSTRADE