

LONG TERMO PS

1,22

U_d VALUE
(W/m² * K)



MAXIMUM
LOAD



HATCH
THICKNESS



SEAL



PROTECTIVE
FEET



HANDRAIL



YEARS
GUARANTEE



OMAN[®]



LONG TERMO PS

The **LONG TERMO PS** loft ladder is characterised by a single seal and a 26mm thick hatch. The **LONG TERMO PS** model is ideal for conditions where the loft is poorly insulated and requires additional thermal insulation. The **LONG** stair model is equipped with a wooden 4-section ladder, making it ideal for installation in rooms up to 310cm high. The staircase is equipped with non-slip feet that perfectly adhere to the floor, prevent scratching of the floor surface and provide an aesthetic finish to the ladder after it has been cut. For increased safety and comfort of use, the **LONG TERMO PS** stairs are equipped with a stable and durable handrail. With the user's comfort in mind, the handrail has been designed so that it can be installed on the left or right side, depending on the customer's preference. The excellent quality of materials used in the production of the stairs and attention to every detail of the finish ensure that the stairs will satisfy even the most demanding customers, and their maximum load during use is up to 160 kg.

Technical specification

INSULATED HATCH THICKNESS	26 mm
THICKNESS OF THERMAL INSULATION	20 mm
HATCH COLOUR FROM BOTH SIDES	white
WOODEN LADDER	4 sections
HEIGHT OF WOODEN BOX	135 mm
WIDTH OF LADDER	400 mm
WIDTH OF STEP	358 mm
DEPTH OF STEP	80 mm
MAXIMAL LANDING SPACE	172 cm
OPENING DISTANCE	168 cm
MAXIMUM CEILING HEIGHT	310 cm

Box dimensions [cm] A x B

Outer box dimensions, mounting opening 2 cm longer.

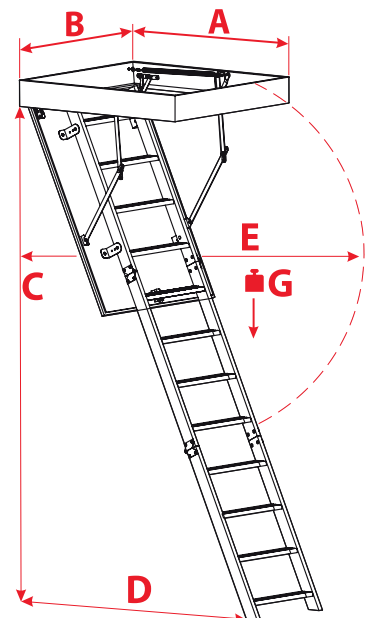
120 x 55	130 x 55	140 x 55
120 x 60	130 x 60	140 x 60
120 x 70	130 x 70	140 x 70

Non-standard dimensions

Min - Max Length	120 - 140 cm
Min - Max Width	54 - 85 cm

*Unusual dimensions available in full size of untypical stairs can not exceed 1 m².

Technical drawing



C	310 cm
D	172 cm
E	168 cm
G	160 kg

Accessories



MASKING
BATTEN



MOUNTING
SYSTEM



HATCH
BALUSTRADE