

LONG EXTRA

0,85

U_d VALUE
(W/m² * K)



**160
kg**

MAXIMUM
LOAD



PROTECTIVE
FEET



SEAL



HANDRAIL



HATCH
THICKNESS



YEARS
GUARANTEE



COMPLIANCE WITH
THE STANDARD

OMAN[®]



LONG EXTRA

The **LONG EXTRA** loft ladder is characterised by a single seal and a 46mm thick hatch. The **EXTRA** model is ideal for conditions where the loft is poorly insulated and requires additional thermal insulation. The **LONG** model is equipped with a 4-section wooden ladder, making it ideal for installation in rooms up to 310 cm high. The staircase is equipped with non-slip feet which perfectly adhere to the floor, prevent scratching of the floor surface and provide an aesthetic finish of the ladder after it has been cut. For increased safety and comfort of use, the **EXTRA** steps have been equipped with a stable and durable handrail. For the user's comfort, the handrail has been designed so that it can be installed on the left or right side, depending on the customer's preference. The excellent quality of the materials used in the production of the stairs and attention to every detail of the finish ensure that the stairs will satisfy even the most demanding customers, and their maximum load during use is up to 160 kg.

Technical specification

INSULATED HATCH THICKNESS	46 mm
THICKNESS OF THERMAL INSULATION	40 mm
HATCH COLOUR FROM BOTH SIDES	white
WOODEN LADDER	4 sections
HEIGHT OF WOODEN BOX	170 mm
WIDTH OF LADDER	400 mm
WIDTH OF STEP	358 mm
DEPTH OF STEP	80 mm
MAXIMAL LANDING SPACE	165 cm
OPENING DISTANCE	167 cm
MAXIMUM CEILING HEIGHT	310 cm

Box dimensions [cm] A x B

Outer box dimensions, mounting opening 2 cm longer.

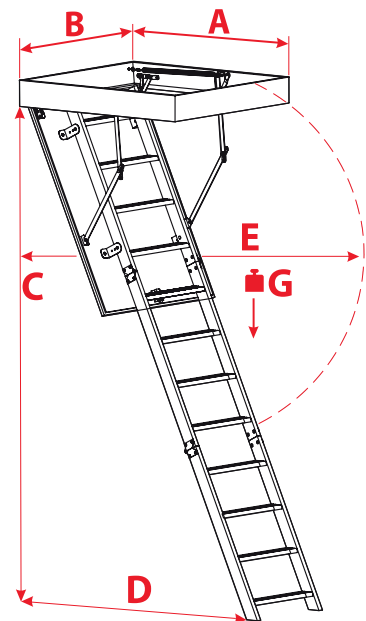
120 x 55	130 x 55	140 x 55
120 x 60	130 x 60	140 x 60
120 x 70	130 x 70	140 x 70

Non-standard dimensions

Min - Max Length	120 - 140 cm
Min - Max Width	54 - 80 cm

*Unusual dimensions available in full size of untypical stairs can not exceed 1 m².

Technical drawing



C	310 cm
D	165 cm
E	167 cm
G	160 kg

Accessories



MASKING
BATTEN



MOUNTING
SYSTEM



HATCH
BALUSTRADE