

# SOLID TERMO

1,22

**U<sub>d</sub> VALUE**  
(W/m<sup>2</sup> \* K)



MAXIMUM  
LOAD



HATCH  
THICKNESS



SEAL



PROTECTIVE  
FEET



YEARS  
GUARANTEE



**OMAN**<sup>®</sup>



# SOLID TERMO

The **SOLID TERMO** loft ladder is characterised by a single seal and a 26mm thick hatch. The **SOLID TERMO** model is ideal for conditions where the loft is poorly insulated and requires additional thermal insulation. Thanks to the use of a robust metal ladder type **SOLID**, the maximum load during use of the stairs is as high as 190 kg. The stairs are equipped with non-slip feet that perfectly adhere to the floor, prevent scratching of the floor surface and provide an aesthetic finish of the ladder after it has been cut. The excellent quality of the materials used in the production of the stairs, as well as attention to every detail of the finish, mean that the stairs will satisfy even the most demanding customers.

## Technical specification

INSULATED HATCH THICKNESS	26 mm
THICKNESS OF THERMAL INSULATION	20 mm
HATCH COLOUR FROM BOTH SIDES	white
METAL LADDER	3 sections
HEIGHT OF WOODEN BOX	135 mm
WIDTH OF LADDER	400 mm
WIDTH OF STEP	361 mm
DEPTH OF STEP	80 mm
MAXIMAL LANDING SPACE	148 cm
OPENING DISTANCE	166 cm
MAXIMUM CEILING HEIGHT	280 cm

## Box dimensions [cm] A x B

Outer box dimensions, mounting opening 2 cm longer.

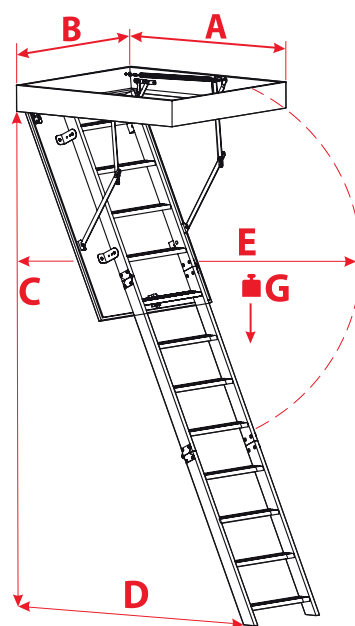
110 x 55	120 x 55	130 x 55	140 x 55
110 x 60	120 x 60	130 x 60	140 x 60
110 x 70	120 x 70	130 x 70	140 x 70

## Non-standard dimensions

Min - Max Length	110 - 140 cm
Min - Max Width	54 - 80 cm

\*Unusual dimensions available in full size of untypical stairs can not exceed 1 m<sup>2</sup>.

## Technical drawing



A > 110

C	280 cm
D	148 cm
E	166 cm
G	190 kg

A = 110

C	280 cm
D	134 cm
E	160 cm
G	190 kg

## Accessories



MASKING  
BATTEN



MOUNTING  
BATTEN



HATCH  
BALUSTRADE