

# SOLID EXTRA

0,85

**U<sub>d</sub> VALUE**  
(W/m<sup>2</sup> \* K)



MAXIMUM  
LOAD



PROTECTIVE  
FEET



SEAL



HANDRAIL



HATCH  
THICKNESS



YEARS  
GUARANTEE



COMPLIANCE WITH  
THE STANDARD

**OMAN**<sup>®</sup>



# SOLID EXTRA

The **SOLID EXTRA** loft ladder is characterised by a single seal and a 46mm thick hatch. The **EXTRA** model is ideal for conditions where the loft is poorly insulated and requires additional thermal insulation. Thanks to the use of a robust metal ladder of the **SOLID** type, the maximum load during use of the stairs is up to 210kg. The stairs are equipped with non-slip feet that perfectly adhere to the floor, prevent scratching of the floor surface, and constitute an aesthetic finish of the ladder after it has been cut. For increased safety and comfort of use, **SOLID EXTRA** stairs have been equipped with a stable and durable handrail. With the user's comfort in mind, the handrail has been designed so that it can be installed on the left or right side, depending on the customer's preference. The excellent quality of materials used in the production of the stairs, as well as attention to every detail of the finish, mean that the stairs will satisfy even the most demanding customers.

## Technical specifications

INSULATED HATCH THICKNESS	46 mm
THICKNESS OF THERMAL INSULATION	40 mm
HATCH COLOUR FROM BOTH SIDES	white
METAL LADDER	3 sections
HEIGHT OF WOODEN BOX	170 mm
WIDTH OF LADDER	400 mm
WIDTH OF STEP	361 mm
DEPTH OF STEP	80 mm
MAXIMAL LANDING SPACE	142 cm
OPENING DISTANCE	165 cm
MAXIMUM CEILING HEIGHT	280 cm

## Box dimensions [cm] A x B

Outer box dimensions, mounting opening 2 cm longer.

110 x 55*	120 x 55*	130 x 55*	140 x 55*
110 x 60	120 x 60	130 x 60	140 x 60
110 x 70	120 x 70	130 x 70	140 x 70

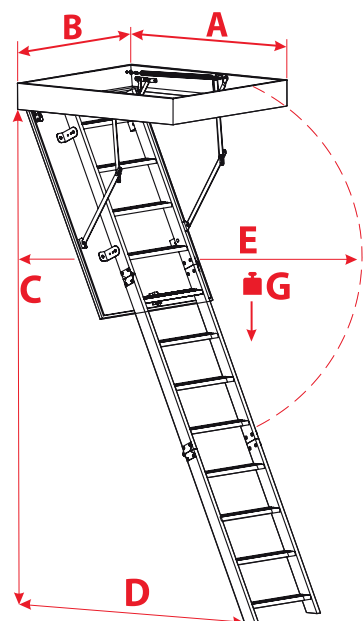
\*Replacing a handrail is unavailable

## Non-standard dimensions

Min - Max Length	110 - 140 cm
Min - Max Width	54 - 80 cm

\*Unusual dimensions available in full size of untypical stairs can not exceed 1 m<sup>2</sup>.

## Technical drawing



A > 100

C	280 cm
D	142 cm
E	165 cm
G	210 kg

A = 100

C	280 cm
D	128 cm
E	161 cm
G	210 kg

## Accessories



MASKING BATTEN



MOUNTING SYSTEM



HATCH BALUSTRADE