

FLEX TERMO METALBOX

1,22

U_d VALUE
(W/m² * K)



160 kg
MAXIMUM
LOAD



26 mm
HATCH
THICKNESS



10x
FLEX
STEPS



3
YEARS
GUARANTEE



COMPLIANCE WITH
THE STANDARD

OMAN[®]



FLEX TERMO METALBOX

The **FLEX TERMO METALBOX** loft ladder is characterised by a 26mm thick hatch. The **FLEX TERMO METALBOX** model is ideal for conditions where the loft is poorly insulated and requires additional thermal insulation. The **FLEX** staircase model, thanks to the use of a solid metal extendable 'scissor' ladder, is ideal for installation in rooms up to 290cm high. The excellent quality of materials used in the production of the stairs and attention to every detail of the finish ensure that the stairs will satisfy even the most demanding customers, and their maximum load during use is up to 160 kg.

Technical specification

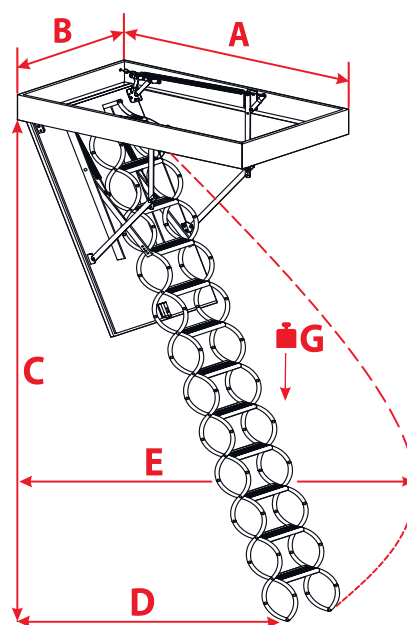
INSULATED HATCH THICKNESS	26 mm
THICKNESS OF THERMAL INSULATION	20 mm
HATCH COLOUR FROM BOTH SIDES	white
FLEX LADDER	10 steps
HEIGHT OF METAL BOX	145 mm
WIDTH OF LADDER	x50 = 290 mm x60/70 = 390 mm
WIDTH OF STEP	x50 = 245 mm x60/70 = 345 mm
DEPTH OF STEP	80 mm
MAXIMAL LANDING SPACE	210 cm
OPENING DISTANCE	245 cm
MAXIMUM CEILING HEIGHT	290 cm

Box dimensions [cm] A x B

Outer box dimensions, mounting opening 2 cm longer.

70 x 50	80 x 50	90 x 50	100 x 50			
70 x 60	80 x 60	90 x 60	100 x 60	110 x 60	120 x 60	130 x 60
70 x 70	80 x 70	90 x 70	100 x 70	110 x 70	120 x 70	130 x 70

Technical drawing



C 290 cm

G 160 kg

A	70	80-100	110	120-130
D	200 cm	210 cm	195 cm	
E	220 cm	245 cm	225 cm	230 cm