

# FLEX TERMO



**U<sub>d</sub> VALUE**  
(W/m<sup>2</sup> \* K)



**MAXIMUM  
LOAD**



**HATCH  
THICKNESS**



**SEAL**



**FLEX  
STEPS**



**3  
YEARS  
GUARANTEE**



By sourcing PEFC,  
we are supporting  
sustainably managed  
forests globally  
[www.pefc.pl](http://www.pefc.pl)



**COMPLIANCE WITH  
THE STANDARD**

**OMAN<sup>®</sup>**



# FLEX TERMO

The **FLEX TERMO** loft ladder is characterised by a single seal and a 26mm thick hatch. The **FLEX TERMO** model is ideal for conditions where the loft is poorly insulated and requires additional thermal insulation. The **FLEX** model of stairs, thanks to the use of a solid, metal extendable 'scissor' ladder, is ideal for installation in rooms up to 290cm high. The excellent quality of materials used in the production of the stairs and attention to every detail of the finish ensure that the stairs will satisfy even the most demanding customers, and their maximum load during use is up to 160 kg.

## Technical specification

INSULATED HATCH THICKNESS	26 mm
THICKNESS OF THERMAL INSULATION	20 mm
HATCH COLOUR FROM BOTH SIDES	white
FLEX LADDER	10 steps
HEIGHT OF METAL BOX	135 mm
WIDTH OF LADDER	390 mm
WIDTH OF STEP	345 mm
DEPTH OF STEP	80 mm
MAXIMAL LANDING SPACE	210 cm
OPENING DISTANCE	245 cm
MAXIMUM CEILING HEIGHT	290 cm

## Box dimensions [cm] A x B

Outer box dimensions, mounting opening 2 cm longer.

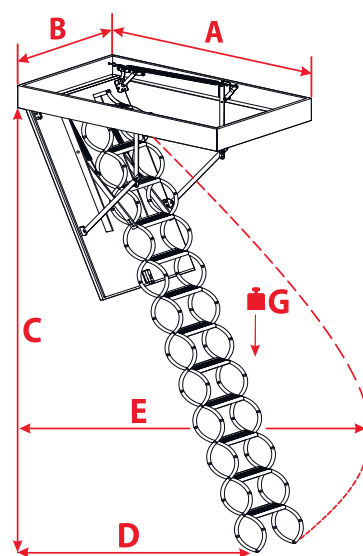
70 x 60	80 x 60	90 x 60	100 x 60	110 x 60	120 x 60	130 x 60
70 x 70	80 x 70	90 x 70	100 x 70	110 x 70	120 x 70	130 x 70

## Non-standard dimensions

Min - Max Length	70 - 130 cm
Min - Max Width	60 - 75 cm

\*Unusual dimensions available in full size of untypical stairs can not exceed 1 m<sup>2</sup>.

## Technical drawing



C	290 cm
G	160 kg

A	70	80-100	110	120-130
D	200 cm	210 cm	195 cm	
E	220 cm	245 cm	225 cm	230 cm

## Accessories



MASKING BATTEN



MOUNTING SYSTEM

