

MINI TERMO

1,22

U_d VALUE
(W/m² * K)



**MAXIMUM
LOAD**



**HATCH
THICKNESS**



SEAL



**PROTECTIVE
FEET**



**3
YEARS
GUARANTEE**



**COMPLIANCE WITH
THE STANDARD**

OMAN[®]



MINI TERMO

The **MINI TERMO** loft ladder is characterised by a single seal and a 26mm thick hatch. The **MINI TERMO** model is ideal for conditions where the loft is poorly insulated and requires additional thermal insulation. The **MINI** model, thanks to its small dimensions, is ideal for installation in narrow and small corridors. The stairs are equipped with non-slip feet which perfectly adhere to the floor, prevent scratching of the floor surface and constitute an aesthetic finishing of the ladder after it has been cut. The excellent quality of materials used in the production of the stairs and attention to every detail of the finish ensure that the stairs will satisfy even the most demanding customers, and their maximum load during use is up to 160 kg.

Technical specification

INSULATED HATCH THICKNESS	26 mm
THICKNESS OF THERMAL INSULATION	20 mm
HATCH COLOUR FROM BOTH SIDES	white
WOODEN LADDER	4 sections
HEIGHT OF WOODEN BOX	135 mm
WIDTH OF LADDER	365 mm
WIDTH OF STEP	324 mm
DEPTH OF STEP	80 mm
MAXIMAL LANDING SPACE	135 cm
OPENING DISTANCE	126 cm
MAXIMUM CEILING HEIGHT	265 cm

Box dimensions [cm] A x B

Outer box dimensions, mounting opening 2 cm longer.

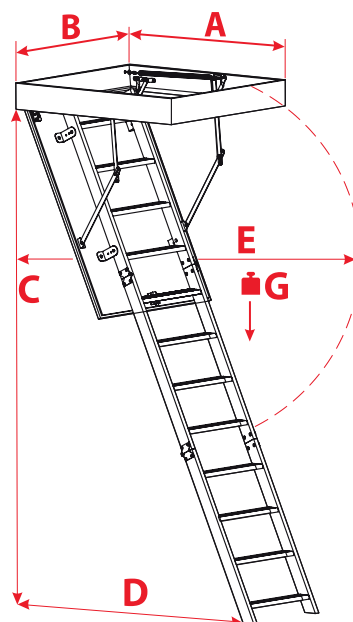
80 x 60	80 x 70
90 x 60	90 x 70
100 x 60	100 x 70

Non-standard dimensions

Min - Max Length	80 - 100 cm
Min - Max Width	60 - 80 cm

*Unusual dimensions available in full size of untypical stairs can not exceed 1 m².

Technical drawing



A > 90

C	265 cm
D	135 cm
E	125/126 cm
G	160 kg

A < 90

C	260 cm
D	101 cm
E	115 cm
G	160 kg

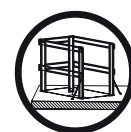
Accessories



MASKING BATTEN



MOUNTING SYSTEM



HATCH BALUSTRADE